



HANDI[®] 450 SINGLE FACE

Analog clock HANDI[®] Single face.
Aluminium case.
Distance of legibility : 35m



Time setting

The professional HANDI[®] clocks can display the same information, by synchronizing through a master clock or a time server.
On pulse version, time setting is manual.

Specification

Power supply	Battery (1 year autonomy) Lithium battery (5 years autonomy) 230VAC POE (Power Over Ethernet)
Certification	CE, EN 60950, EN 55022, EN 55024
IP	IP40
MTBF	85 000 hrs
MTTR	15 min
Operating temperature	Without lighting : -20° to +50°C With lighting : -30° to +50°C
Weight	See us
Dimension	Diameter : 441.2 mm Thickness : 62.1 mm Bracket supports : see schemas below

Display

Arabic numerals screen printed in black.
Black lacquered hands.
Trade mark and logo GORGY TIMING screen printed on the dial.

Key features

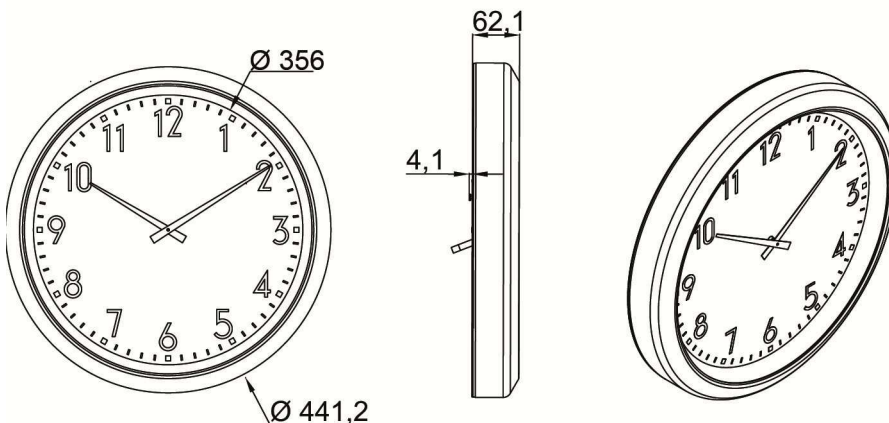
- **Fast but approximate reading of time.**
- Flat aluminium case.
- Acrylic front cover (Polymethyl methacrylate).
- Wall mounting or ceiling mounting with bracket or flag.
- Time setting by synchronization source.
- Autonomy of five years provided by a lithium battery and 10 years optional (except version Impulse).
- Supervision alarm through FSK protocol for AFNOR version and through ASCII for the ASCII version.
Message of alarms: wrong hand position, no synchronization...
- LED lightning.

Remote management (on NTP version)

Remote configuration and time setting via WEB interface.
Automatic time zone choice and daylight saving time change.
Supervision via HTTP, SNMP, Telnet. "GT Network Manager" (Windows® NT/XP/2000/Vista (32 bits) /Windows 7).

Synchronization inputs

- **Standalone quartz time base synchronizable :**
 - DCF (Europe)
 - AFNOR NFS 87500/IRIG B
 - NTP Ethernet 10/100 base T
 - DHW 869.525 Mhz
 - Wi-fi (IEEE 802.11 B/G standard).
 - ASCII : RS 485
- **Pulses version :** parallel reversed minute receiver 24V.



HANDI® 450 - SINGLE FACE

		ITEM CODE							
		H	7	4	0	/	4		
VERSION									
		↑	↑	↑	↑	↑	↑	↑	↑
Minute 24V/7.2mA slave movement (without second sweep hand)	<input type="checkbox"/>	3							
AFNOR NFS 87500 (Lithium battery ⁽¹⁾)	<input checked="" type="checkbox"/>	8							
AFNOR NFS 87500 (230VAC power supply)	<input checked="" type="checkbox"/>	9							
AFNOR NFS 87500 (12-24 VDC power supply)	<input checked="" type="checkbox"/>	7							
ASCII RS 485 (230VAC power supply)	<input checked="" type="checkbox"/>	Q							
ASCII RS 485 Polaris (230VAC power supply)	<input checked="" type="checkbox"/>	A							
NTP Ethernet 10/100BaseT Synchronization (230VAC power supply)	<input checked="" type="checkbox"/>	N							
NTP Ethernet 10/100BaseT Synchronization (Power Over Ethernet)	<input checked="" type="checkbox"/>	P							
Wi-Fi (IEEE 802.11 B/G standard) 230VAC power supply	<input checked="" type="checkbox"/>	W							
Radiosynchronized on DCF (Lithium battery ⁽¹⁾)	<input checked="" type="checkbox"/>	D							
Radiosynchronized on DCF (230 VAC power supply)	<input checked="" type="checkbox"/>	E							
DHW 869.525 Mhz Synchronization (Lithium battery ⁽¹⁾)	<input checked="" type="checkbox"/>	L							
COLOR OF CASE									
Aluminium grey	<input type="checkbox"/>		7						
Aluminium grey with LED lighting	<input type="checkbox"/>		H						
Specificity (on request)			S						
BRACKET SUPPORT									
Wall mount	<input type="checkbox"/>							M	
Celling bracket or side mounting bracket in grey	<input type="checkbox"/>							P	
Specificity (on request)								S	
OPTION									
Hand for seconds (except for impulse version)	<input checked="" type="checkbox"/>								S
Alarm management ASCII (Version ASCII Polaris)	On request								B
Specification (on customer request)									0

(1) Lithium battery power supply : 5 years autonomy